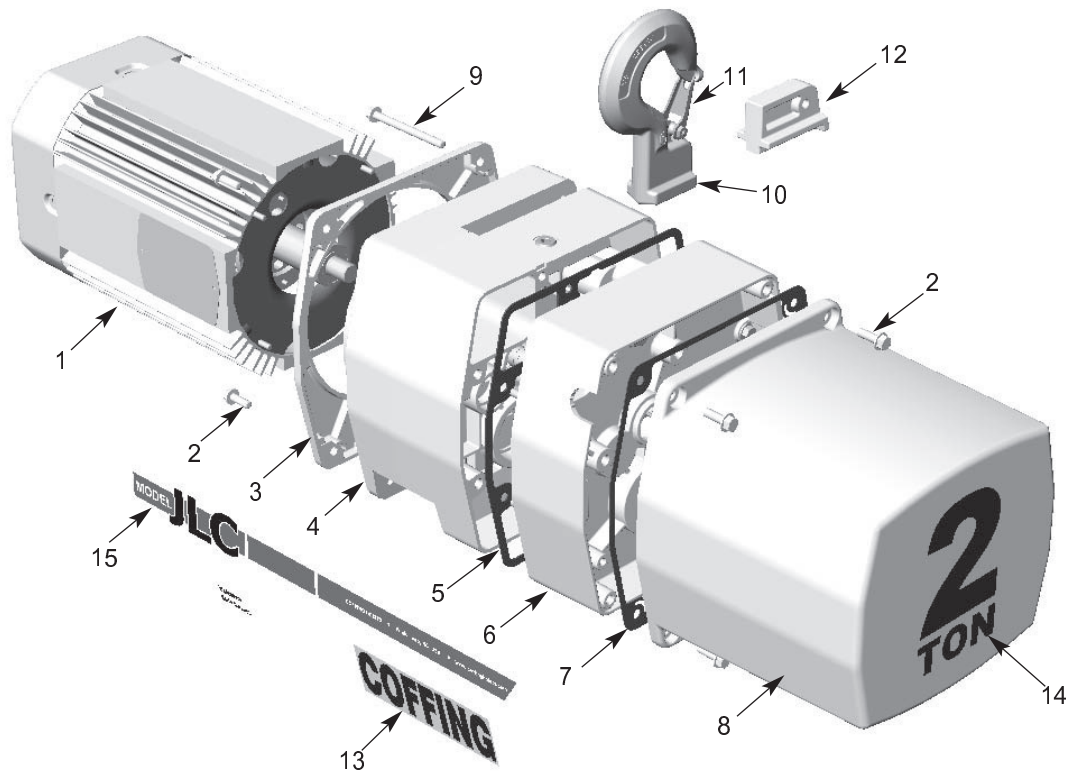


Contact your nearest Coffing Service Center for parts and service. For a complete list, see pages 34 and 35. Please have the hoist model number, serial number, and part number with description available for reference.

Figure 12 - Basic Hoist



Parts List for Basic Hoist

Ref No.	Description	Part No.	Qty	Ref No.	Description	Part No.	Qty
1	Motor (See Figures 13 & 14)	—	1		1 ton	JLC675K-10	1
2	Cover Screw	H2976P	7		2 ton	JLC675K-20	1
3	Trim Cover	JM37	1	15	JLC Strip Decal (Left & Right Side)	JLC677	1
4	Transmission Housing	JM3533	1	△	Nylon Cover		
5	Transmission Case Gasket	JM560	1		†1/8 ton	08770W	1
6	Transmission Cover	JM34	1		†1/4 ton	08771W	1
7	Electrical Cover Gasket	JM563	1		†1/2 ton	08772W	1
8	Electrical Cover	JM36	1		†1 ton	08773W	1
9	Hook Retainer Screw	H2709P	1		†2 ton	08774W	1
10	Top Hook Assembly with Latch Rigid Hook (std.)	3M405A01S	1	△	Chain Container	08348W	1
	†Swivel Hook	51JM1	1	△	JLCET Trolley (Lug Mounted)		
11	Latch Kit Assembly	4X1305	1		1 Ton & Under	09290	1
12	Hook Retainer	JM285	1		2 Ton	09291	1
13	Coffing Decal	677J7	2		(Also requires Suspension Lug)*		
14	Capacity Decal			△	Suspension Lug		
	250 lbs.	JLC675K-01	1		Cross Mounted	JM50C	1
	1/4 ton	JLC675K-02	1		Parallel Mounted	50JM1	1
	1/2 ton	JLC675K-05	1				

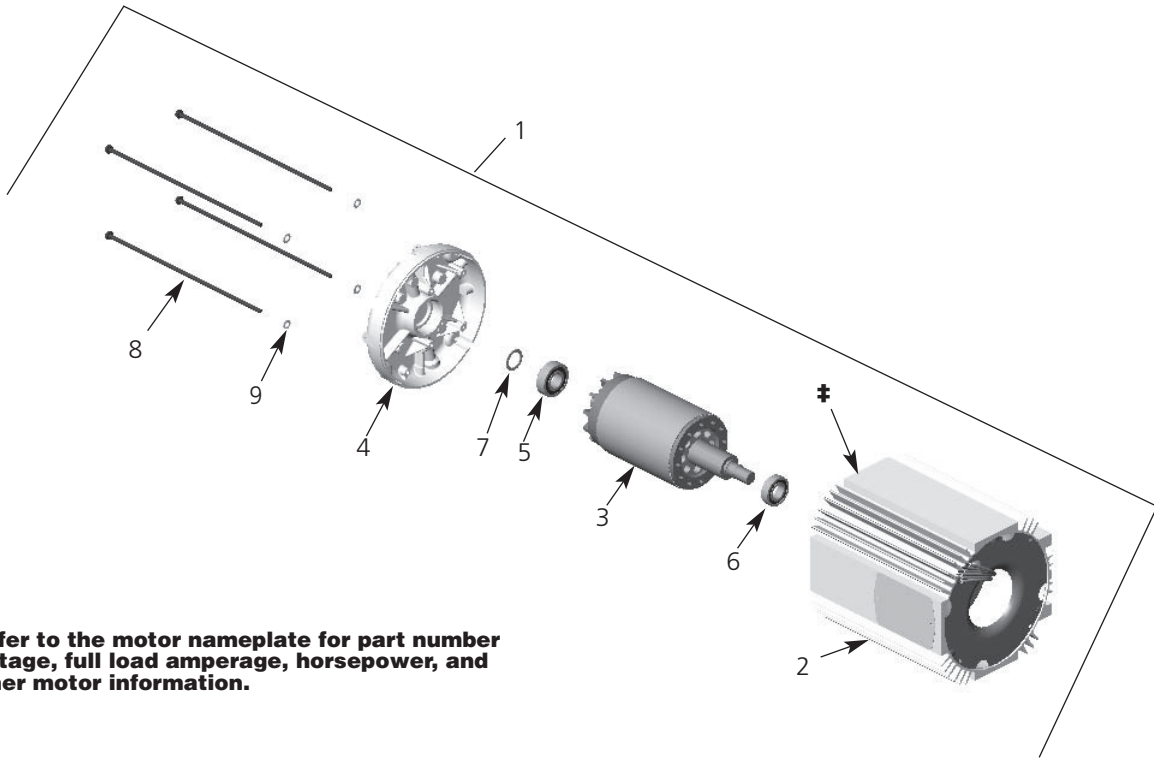
(△) Not Shown

(†) Optional

* Suspension lug is an option for JLC Models and standard for JLCET Models.

Contact your nearest Coffing Service Center for parts and service. For a complete list, see pages 34 and 35. Please have the hoist model number, serial number, and part number with description available for reference.

Figure 13 - Hoist Motor, 115/230V - 1 Phase



(+) Refer to the motor nameplate for part number, voltage, full load amperage, horsepower, and other motor information.

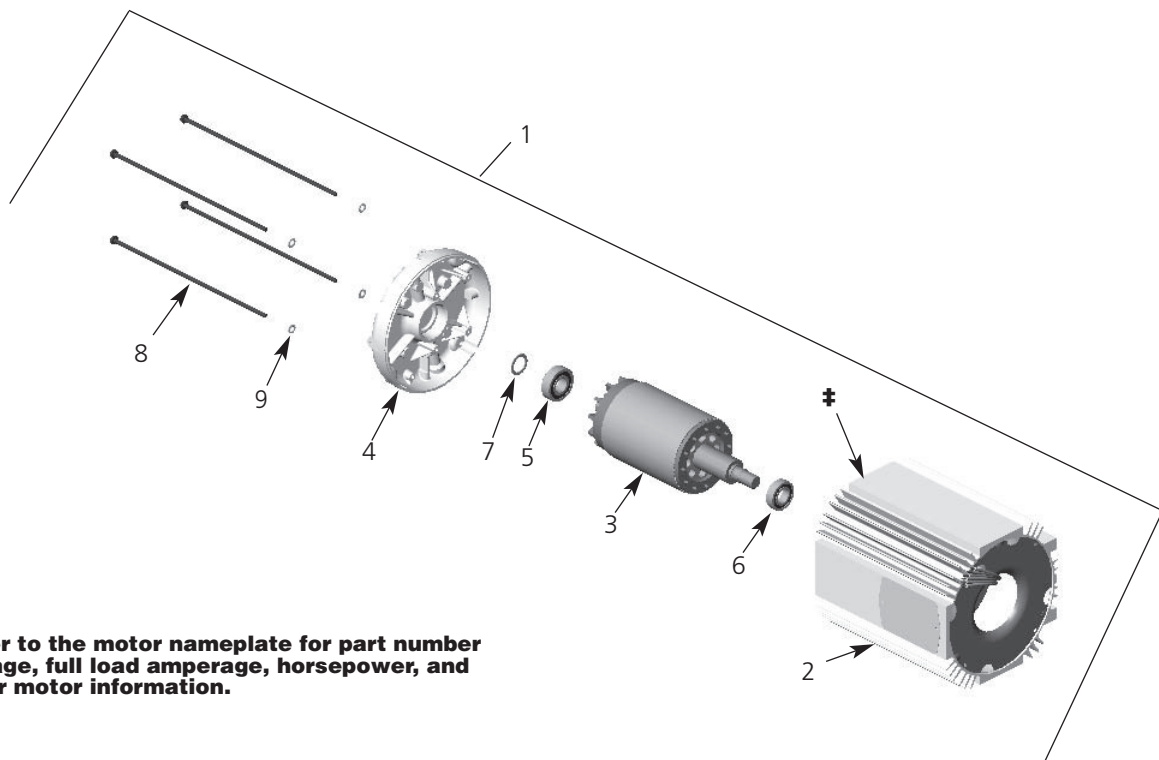
Parts List for Hoist Motor, 115/230V - 1 Phase

Ref No.	Description	Part No.	Qty	Ref No.	Description	Part No.	Qty
1	Hoist Motor			4	End Shield	35EP3100D15	1
	1/4 hp, 115/230V-1Ph	861JX11	1	5	Rear Bearing	500K3	1
	1/2 hp, 115/230V-1Ph	861JX12	1	6	Front Bearing	732012C	1
	1 hp, 115/230V-1Ph	861JX14	1	7	Shim Washer	JL4301-01	1
2	Stator Assembly	*	1	8	Thru Bolt	HA3100A56	4
3	Rotor Assembly	*	1	9	#10 Spring Lockwasher	H4082P	4

* Not available as an individual part.

Contact your nearest Coffing Service Center for parts and service. For a complete list, see pages 34 and 35. Please have the hoist model number, serial number, and part number with description available for reference.

Figure 14 - Hoist Motor, 3 Phase



(‡) Refer to the motor nameplate for part number, voltage, full load amperage, horsepower, and other motor information.

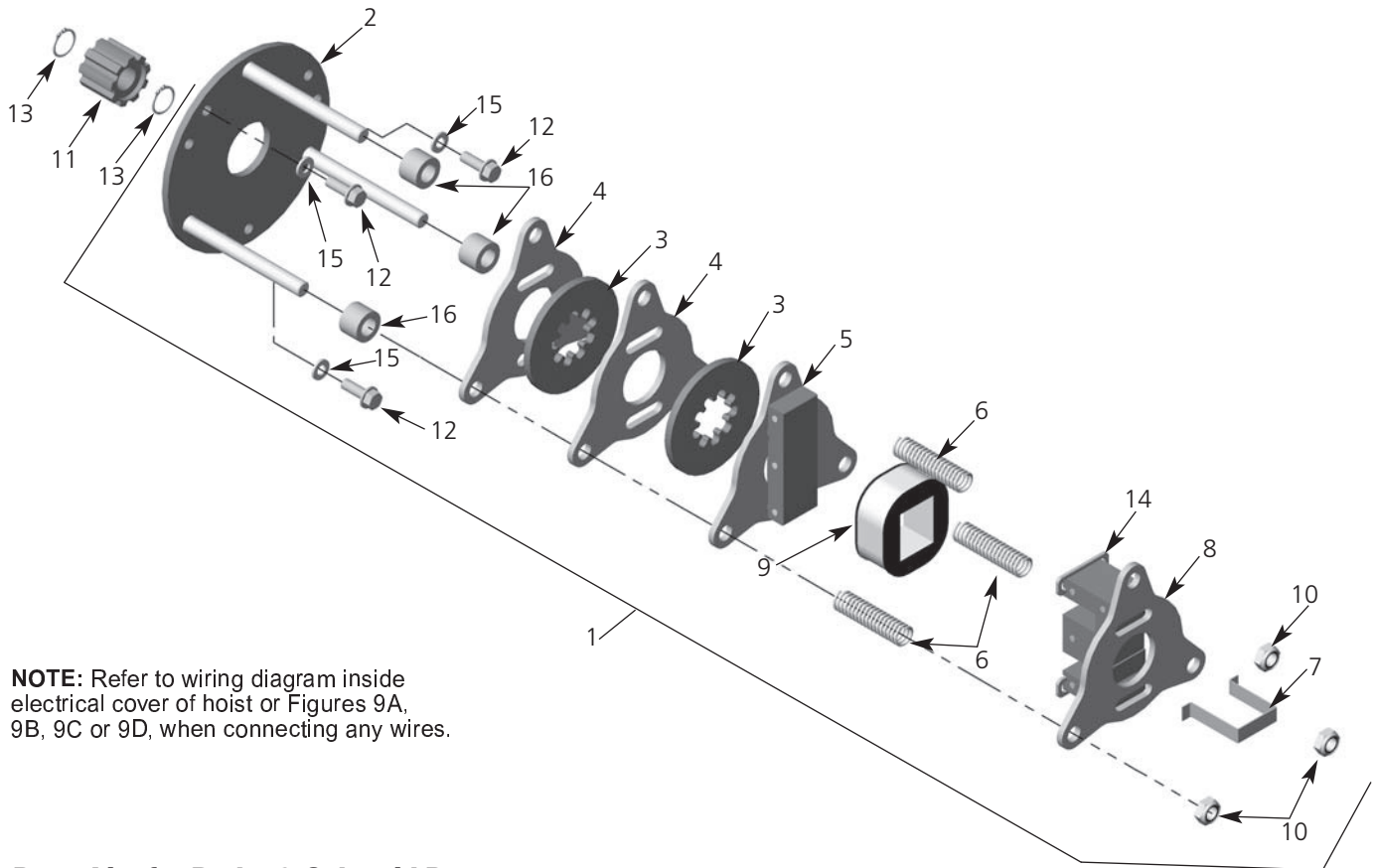
Parts List for Hoist Motor, 3 Phase

Ref No.	Description	Part No.	Qty	Ref No.	Description	Part No.	Qty
1	Hoist Motor (1-Speed)						
	1/4 hp, 230/460V-3Ph-60Hz	863JX1	1		1/2 hp, 575V-3Ph-60Hz	873JX10	1
	1/2 hp, 230/460V-3Ph-60Hz	863JX2	1		1 hp, 575V-3Ph-60Hz	873JX12	1
	1 hp, 230/460V-3Ph-60Hz	863JX4	1		1/4 hp, 208V-3Ph-60Hz	873JX13	1
	1/4 hp, 575V-3Ph-60Hz	863JX5	1		1/2 hp, 208V-3Ph-60Hz	873JX14	1
	1/2 hp, 575V-3Ph-60Hz	863JX6	1		1 hp, 208V-3Ph-60Hz	873JX16	1
	1 hp, 575V-3Ph-60Hz	863JX8	1	2	Stator Assembly	*	1
	1/4 hp, 208V-3Ph-60Hz	863JX9	1	3	Rotor Assembly	*	1
	1/2 hp, 208V-3Ph-60Hz	863JX10	1	4	End Shield	35EP3100D15	1
	1 hp, 208V-3Ph-60Hz	863JX12	1	5	Rear Bearing	500K3	1
	Hoist Motor (2-Speed)			6	Front Bearing	732012C	1
	1/4 hp, 230V-3Ph-60Hz	873JX1	1	7	Shim Washer	JL4301-01	1
	1/2 hp, 230V-3Ph-60Hz	873JX2	1	8	Thru Bolt (1-Speed)	HA3100A56	4
	1 hp, 230V-3Ph-60Hz	873JX4	1		Thru Bolt (2-Speed)	HA3100A71	4
	1/4 hp, 460V-3Ph-60Hz	873JX5	1	9	#10 Spring Lockwasher	H4082P	4
	1/2 hp, 460V-3Ph-60Hz	873JX6	1				
	1 hp, 460V-3Ph-60Hz	873JX8	1				
	1/4 hp, 575V-3Ph-60Hz	873JX9	1				

* Not available as an individual part.

Contact your nearest Coffing Service Center for parts and service. For a complete list, see pages 34 and 35. Please have the hoist model number, serial number, and part number with description available for reference.

Figure 15 - Brake & Solenoid Parts



NOTE: Refer to wiring diagram inside electrical cover of hoist or Figures 9A, 9B, 9C or 9D, when connecting any wires.

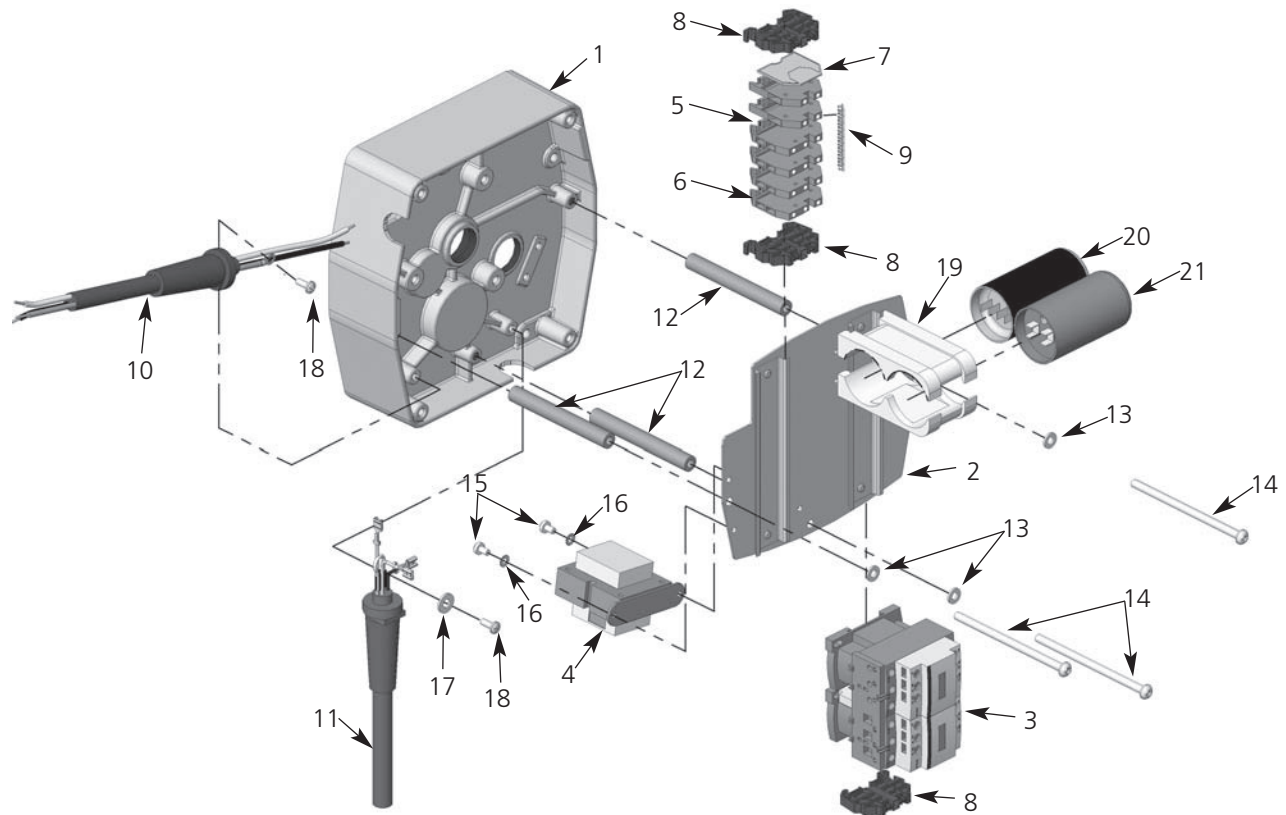
Parts List for Brake & Solenoid Parts

Ref No.	Description	Part No.	Qty	Ref No.	Description	Part No.	Qty
1	Disc Brake Assembly*			8	Plate & Frame Assembly	JF857	1
	1 hp, 115 Volt	854JM1	1	9	Brake Coil*		
	1/4 & 1/2 hp, 115 Volt	854JM12	1		115V*	853JL1	1
	1 hp, 230 Volt	854JM2	1		230V*	853JL2	1
	1/4 & 1/2 hp, 230 Volt	854JM22	1		460V	853JL3	1
	1 hp, 460 Volt	854JM3	1		575V	853JL4	1
	1/4 & 1/2 hp, 460 Volt	854JM32	1		208V	853JL5	1
	1 hp, 575 Volt	854JM4	1		380V	853JL6	1
	1/4 & 1/2 hp, 575 Volt	854JM42	1		415V	853JL7	1
	1 hp, 208 Volt	854JM5	1	10	Locknut	H3978	3
	1/4 & 1/2 hp, 208 Volt	854JM52	1	11	Adapter	JL142	1
	1 hp, 380 Volt	854JM6	1	12	Screw	H2976P	3
	1/4 & 1/2 hp, 380 Volt	854JM62	1	13	Retaining Ring	H5501	2
2	Plate & Stud Assembly	859JG1	1	14	Shading Coil	860J1	2
3	Brake Disc				Shading Coil Adhesive	H7812	1
	1/4 & 1/2 hp	581J1A	2	15	Lockwasher	H4134	3
	1 hp	581J1A	3	16	Spacer for 1/4 & 1/2 hp	141J2	3
4	Brake Plate	JF291	2				
5	Plate & Armature Assembly	JF858	1				
6	Spring	344J6	3				
7	Retainer	JF710	1				

* Dual-voltage 115/230V models use 115V Brake Assembly and Coil.
Dual-voltage 230/460V models use 230V Brake Assembly and Coil.

Contact your nearest Coffing Service Center for parts and service. For a complete list, see pages 34 and 35. Please have the hoist model number, serial number, and part number with description available for reference.

Figure 16 - Electrical Parts, 1-Speed Models



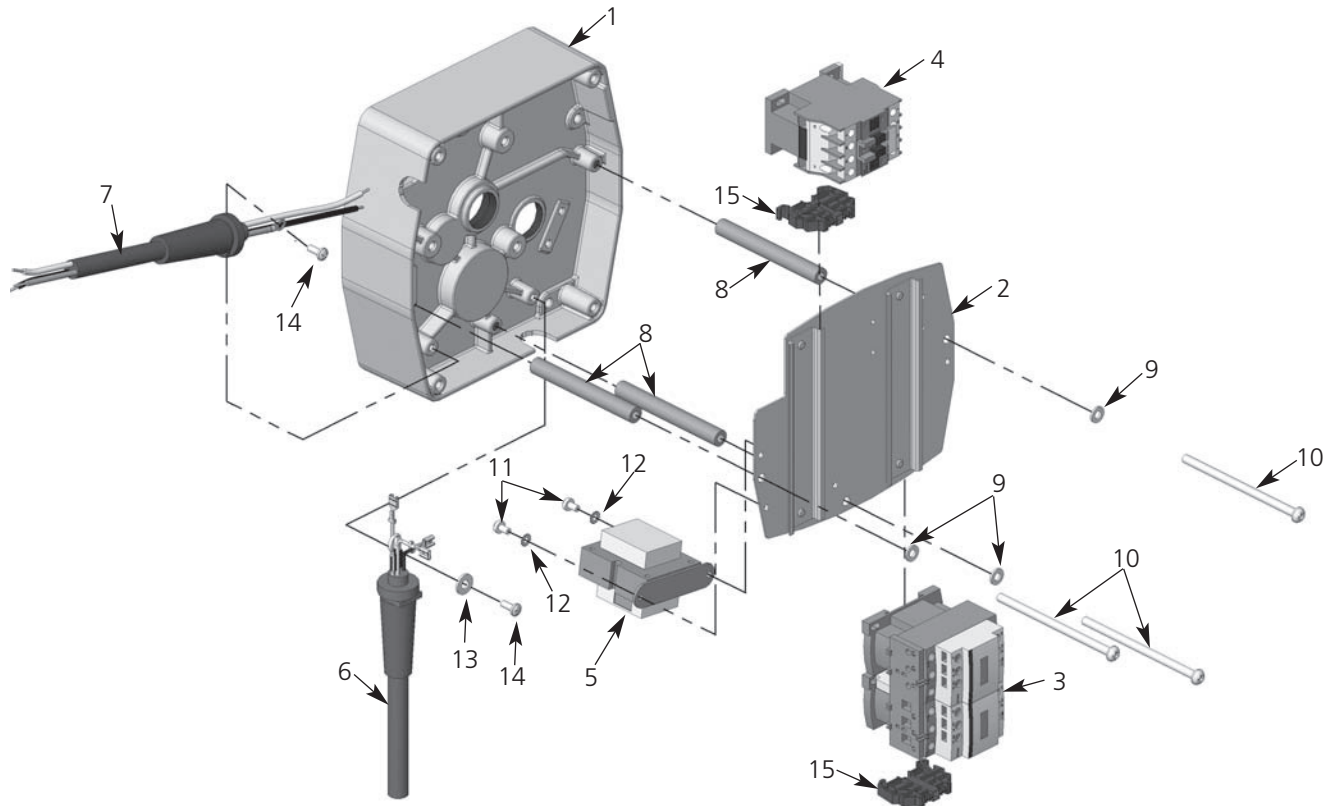
Parts List for Electrical Parts, 1-Speed Models

Ref No.	Description	Part No.	Qty	Ref No.	Description	Part No.	Qty
1	Transmission Cover	JM34	1	6	Terminal Block		
2	Panel Plate	257JM200	1	7	115/230V End Plate	909J14	4
3	Reversing Contactor*			7	115/230V End Plate	909J15	1
	1/2 hp & under:			7	230/460V End Plate	909J12	1
	24V Coil	28860	1	8	End Clamp		
	115V Coil	24799	1	8	115/230V & 230/460V Single Voltage Models	909J13	3
	1 hp, 1-Phase:			9	Marking Strip	909J13	1
	24V Coil	24791	1	10	15 ft Power Cord Assembly		
	115V Coil	28905	1	10	115/230V, 1/2 hp (3 cond.)	951JM1	1
	1 hp, 3-Phase:			10	115/230V, 1 hp (3 cond.)	952JM1	1
	24V Coil	25943	1	10	3-Phase (4 cond.)	953JM1	1
	115V Coil	24729	1	11	PB & Cable Assembly		
4	Transformer*			11	(See Figures 18 & 19)		1
	Pri.: 115/230V, Sec.: 24V	821J412	1	12	Panel Standoff Spacer	200J4	3
	Pri.: 115/230V, Sec.: 115V	821J411	1	13	1/4" Internal-tooth Lockwasher	H4134	3
	Pri.: 230/460V, Sec.: 24V	821J432	1	14	1/4"-20UNC X 4" Screw	H1027P	3
	Pri.: 230/460V, Sec.: 115V	821J431	1	15	8-32UNC X 5/16" Screw	H2751	2
	Pri.: 575V, Sec.: 24V	821J452	1	16	#8 External-tooth Lockwasher	H4158	2
	Pri.: 575V, Sec.: 115V	821J451	1	17	1/4" Flatwasher	H4002P	1
	Pri.: 208V, Sec.: 24V	821J472	1	18	10-24UNC X 1/2" Screw	H2970	1
	Pri.: 208V, Sec.: 115V	821J471	1	19†	Can Mounting Bracket	JM811	2
	Pri.: 380V, Sec.: 24V	821J482	1	20†	SINPAC® Starting Switch	839J3	1
	Pri.: 380V, Sec.: 115V	821J481	1	21†	Capacitor	JL810-4	1
5	Terminal Block						
	115/230V	909J10	1				
	230/460V	909J10	8				

* Coil voltage of the contactor and the secondary voltage of the transformer are the same. This is referred to as the control voltage. Standard units are supplied with 24V Control.
 (†) Single Phase units only.

Contact your nearest Coffing Service Center for parts and service. For a complete list, see pages 34 and 35. Please have the hoist model number, serial number, and part number with description available for reference.

Figure 17 - Electrical Parts, 2-Speed Models



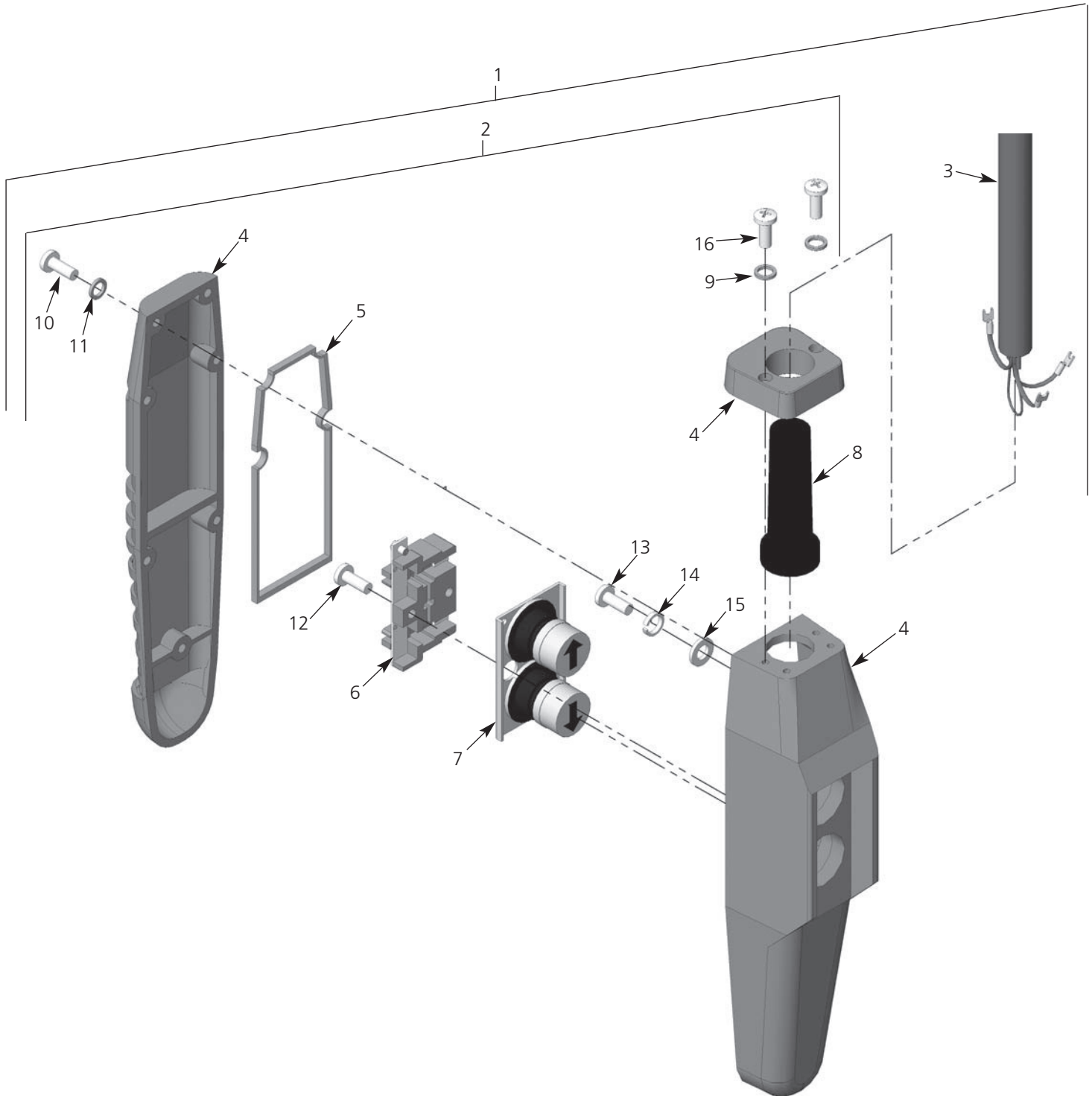
Parts List for Electrical Parts, 2-Speed Models

Ref No.	Description	Part No.	Qty	Ref No.	Description	Part No.	Qty
1	Transmission Cover	JM34	1	5	Pri.: 575V, Sec.: 24V	821J452	1
2	Panel Plate	257JM200	1		Pri.: 575V, Sec.: 115V	821J451	1
3	Reversing Contactor*				Pri.: 208V, Sec.: 24V	821J472	1
	1/2 hp & under:				Pri.: 208V, Sec.: 115V	821J471	1
	24V Coil	28860	1		Pri.: 380V, Sec.: 24V	821J482	1
	115V Coil	24799	1		Pri.: 380V, Sec.: 115V	821J481	1
	1 hp, 3-Phase:			6	15 ft Power Cord Assembly	953JM1	1
	24V Coil	25943	1	7	PB & Cable Assembly	—	1
	115V Coil	24729	1		(See Figures 18 & 19)		
4	Speed Control Relay*			8	Panel Standoff	200J4	3
	1/2 hp, 24V Coil	28878	1	9	1/4" Internal-tooth Lockwasher	H4134	3
	1/2 hp, 115V Coil	28870	1	10	1/4-20UNC X 4" Screw	H1027P	3
	1 hp, 24V Coil	28885	1	11	8-32UNC X 5/16" Screw	H2751	2
	1 hp, 115V Coil	28879	1	12	#8 External-tooth Lockwasher	H4158	2
5	Transformer*			13	1/4" Flatwasher	H4002P	1
	Pri.: 230/460V, Sec.: 24V	821J432	1	14	10-24UNC X 1/2" Screw	H2970	1
	Pri.: 230/460V, Sec.: 115V	821J431	1	15	End Clamp	909J13	2

* The coil voltage of the contactors and secondary voltage of the transformer are the same. This is referred to as the control voltage. Standard units are supplied with 24V Control.

Contact your nearest Coffing Service Center for parts and service. For a complete list, see pages 34 and 35. Please have the hoist model number, serial number, and part number with description available for reference.

Figure 18 - 1-Speed Pushbutton Station



Contact your nearest Coffing Service Center for parts and service. For a complete list, see pages 34 and 35. Please have the hoist model number, serial number, and part number with description available for reference.

Parts List for 1-Speed Pushbutton Station

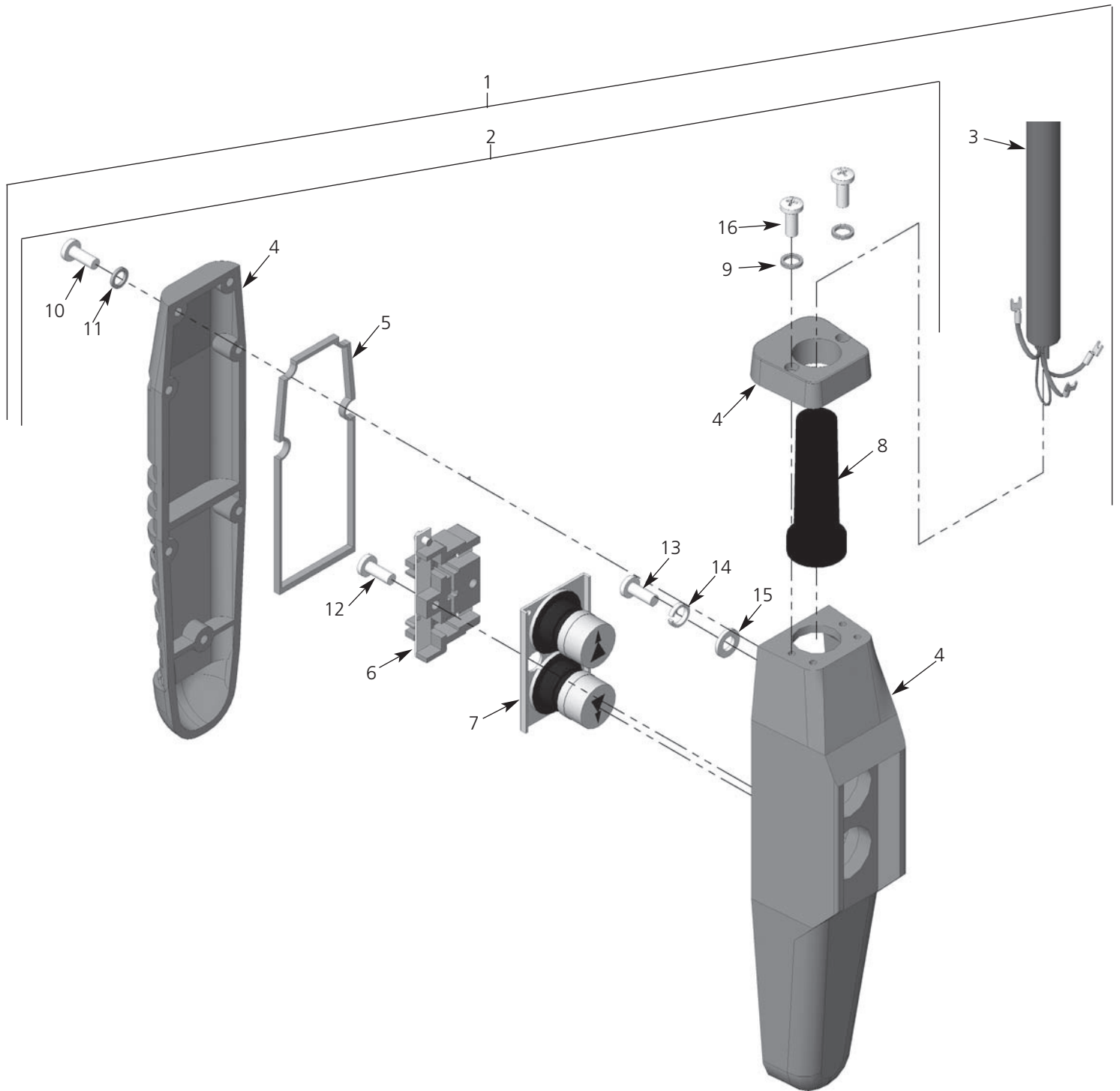
Ref. No.	Description	Part No.	Qty
1	Pushbutton Station & Control Cable Assembly		
	6 ft Cable Length	PB2100-6	1
	11 ft Cable Length	PB2100-11	1
	16 ft Cable Length	PB2100-16	1
	Special Drop	PB2100-S†	1
2	Pushbutton Station Assembly	36900R	1
3	Control Cable Assembly		
	6 ft Cable Length	PBC2100-6	1
	11 ft Cable Length	PBC2100-11	1
	16 ft Cable Length	PBC2100-16	1
	Special Drop	PBC2100-S†	1
4	Enclosure	36998	1
5	Gasket	36986	1
6	Contact Assembly (Includes items 6 & 7)	36987	1
7	Button Assembly	36988	1
8	Grommet	36989	1
*	Hardware Kit	36939	1
	(Includes items 9 - 16)		
△	Warning Tag	687K3W	1

(†) Equal to cable length (pushbutton drop).

(△) Not shown.

Contact your nearest Coffing Service Center for parts and service. For a complete list, see pages 34 and 35. Please have the hoist model number, serial number, and part number with description available for reference.

Figure 19 - 2-Speed Pushbutton Station



Contact your nearest Coffing Service Center for parts and service. For a complete list, see pages 34 and 35. Please have the hoist model number, serial number, and part number with description available for reference.

Parts List for 2-Speed Pushbutton Station

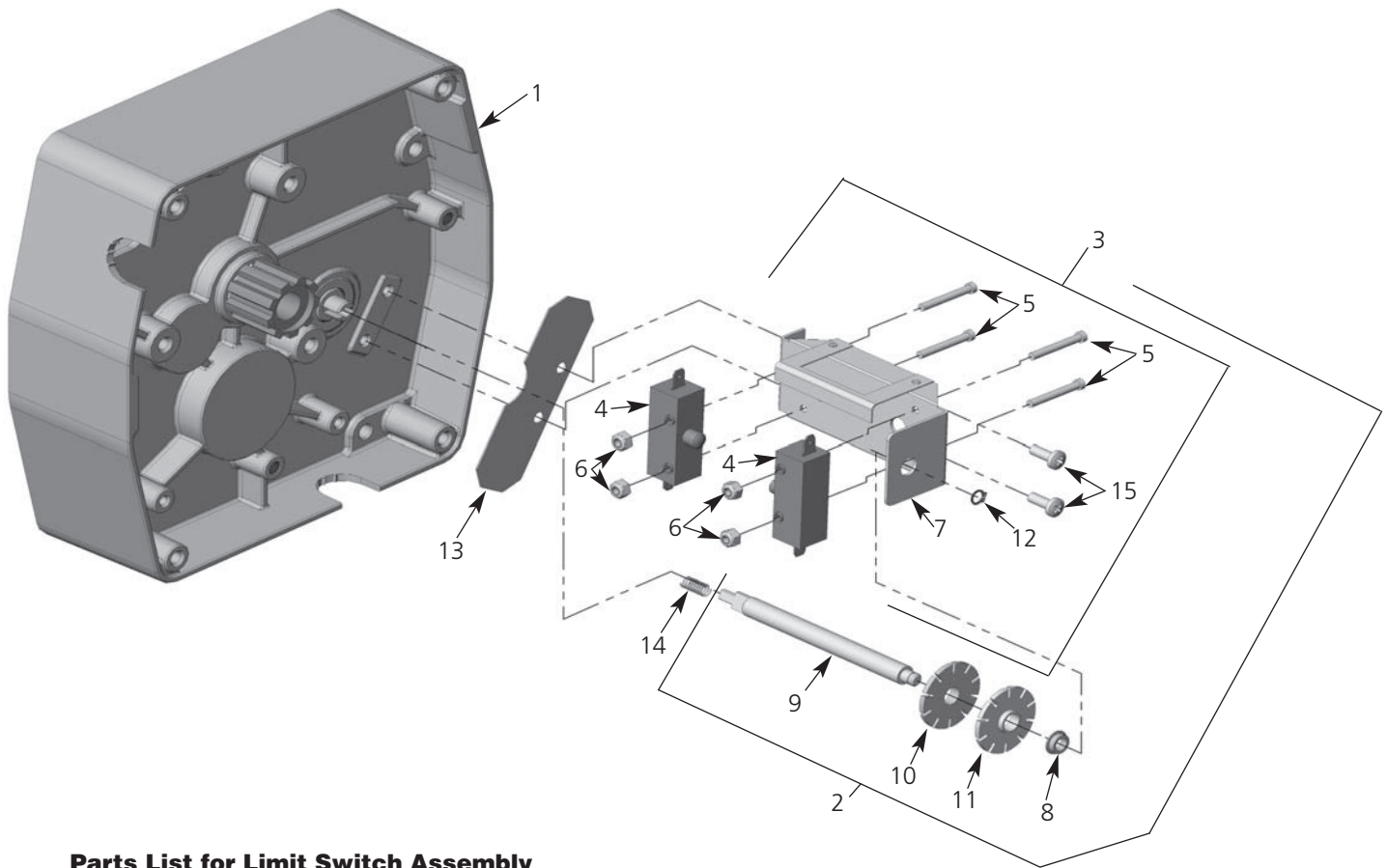
Ref. No.	Description	Part No.	Qty
1	Pushbutton Station & Control Cable Assembly		
	6 ft Cable Length	PB2200-6	1
	11 ft Cable Length	PB2200-11	1
	16 ft Cable Length	PB2200-16	1
	Special Drop	PB2200- S†	1
2	Pushbutton Station Assembly	36800R	1
3	Control Cable Assembly		
	6 ft Cable Length	PBC2200-6	1
	11 ft Cable Length	PBC2200-11	1
	16 ft Cable Length	PBC2200-16	1
	Special Drop	PBC2200- S†	1
4	Enclosure	36998	1
5	Gasket	36986	1
6	Contact Assembly (Includes items 6 & 7)	36868	1
7	Button Assembly	36869	1
8	Grommet	36866	1
*	Hardware Kit	36939	1
	(Includes items 9 - 16)		
△	Warning Tag	687K3W	1

(†) Equal to cable length (pushbutton drop).

(△) Not shown.

Contact your nearest Coffing Service Center for parts and service. For a complete list, see pages 34 and 35. Please have the hoist model number, serial number, and part number with description available for reference.

Figure 20 - Limit Switch Assembly

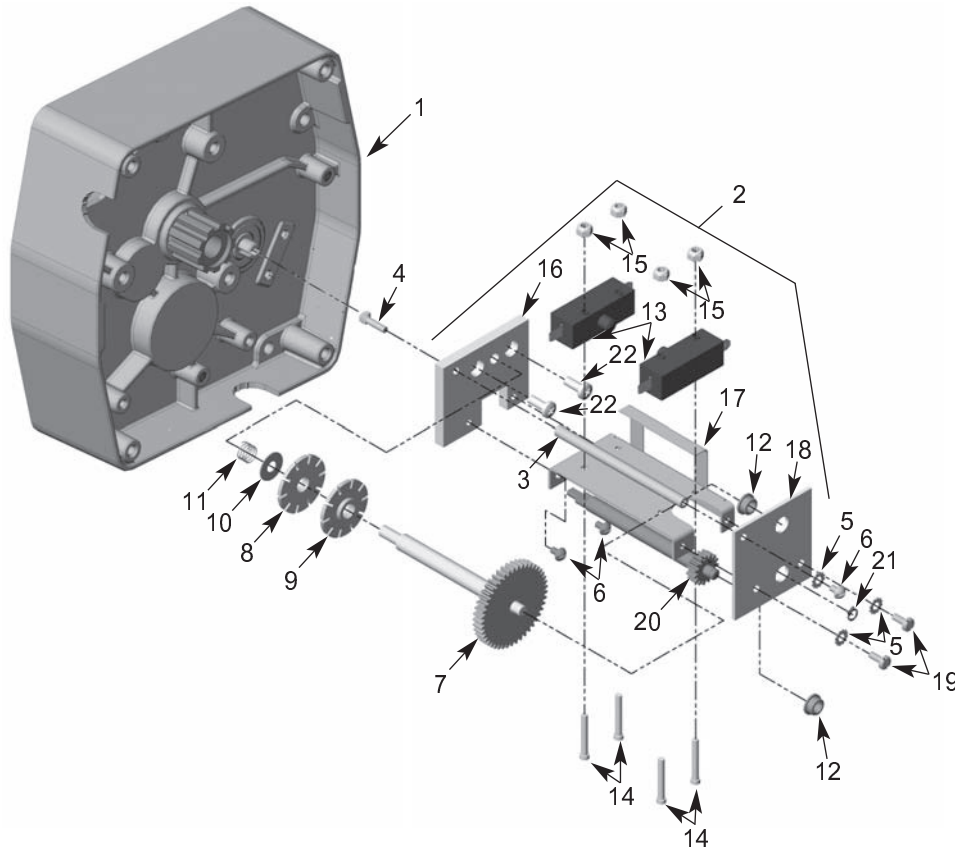


Parts List for Limit Switch Assembly

Ref No.	Description	Part No.	Qty	Ref No.	Description	Part No.	Qty
1	Transmission Cover	JM34	1	8	Bushing	JF531-4	1
2	Limit Switch Assembly (Includes items 4-12)	918JG4	1	9	Limit Switch Shaft	JF117-3S	1
3	Limit Switch Bracket Assembly (Includes items 4-8)	918JG3	1	10	Limit Switch Nut (silver)	SK6000-63Z	1
4	Switch	815J1	2	11	Limit Switch Nut (gold)	SK6000-63W	1
5	6-32UNC X 1" Screw	H1402P	4	12	Retaining Ring	H5520	1
6	6-32UNC Elastic Locknut	H3944	4	13	Insulator	JF754	1
7	Limit Switch Bracket (Includes Item 8)	JF900-3	1	14	Spring	JF343-3	1
				15	10-24UNC X 1/2" Screw	H2970	2

Contact your nearest Coffing Service Center for parts and service. For a complete list, see pages 34 and 35. Please have the hoist model number, serial number, and part number with description available for reference.

Figure 21 - Long Lift Limit Switch Parts

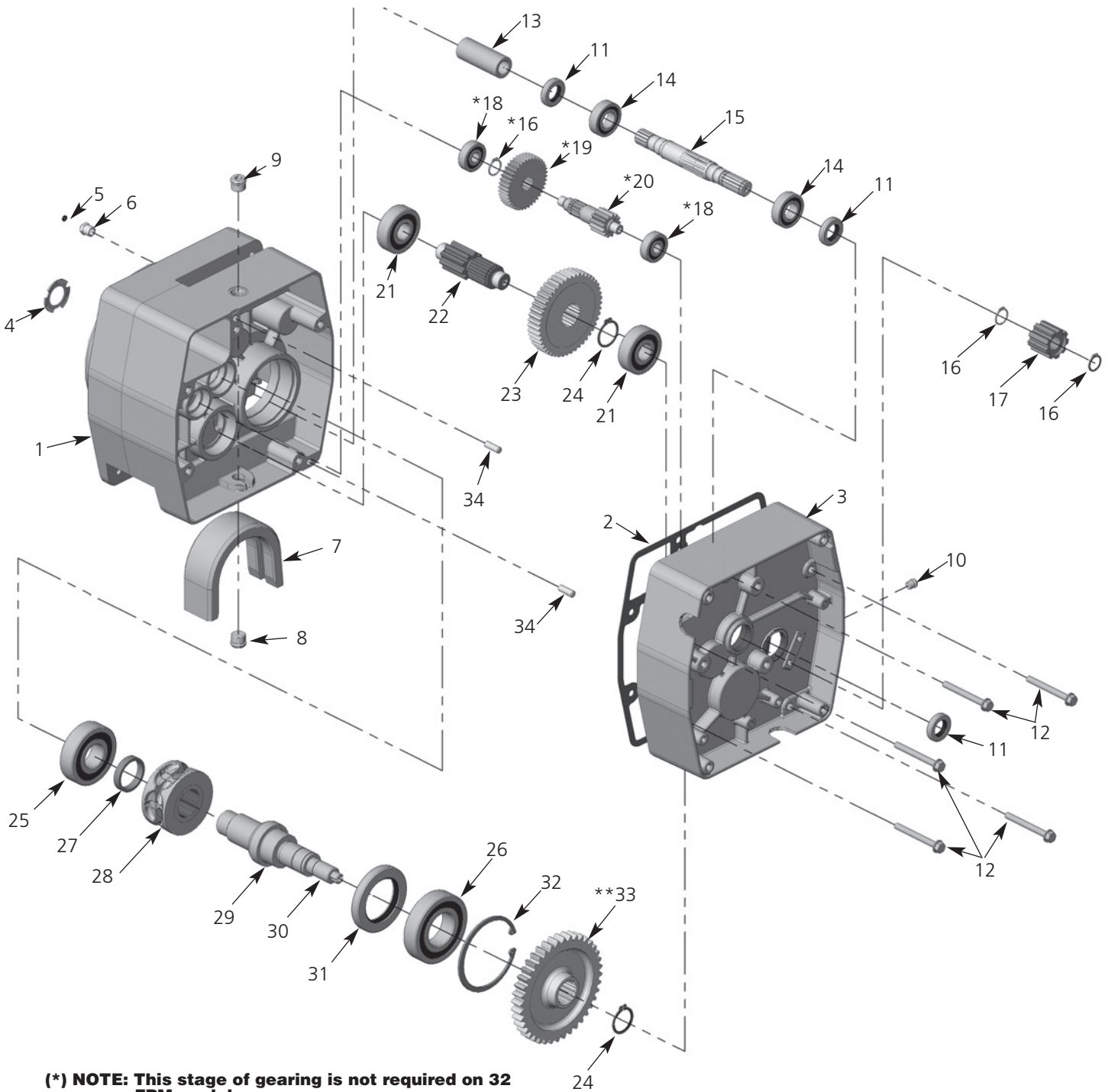


Parts List for Long Lift Limit Switch Parts

Ref No.	Description	Part No.	Qty	Ref No.	Description	Part No.	Qty
1	Transmission Cover	JM34	1	13	Switch	815J1	2
2	Limit Switch Assembly (Includes items 3-21)	944JG6	1	14	6-32UNC X 1" Screw	H1402P	4
3	Post	110J14	1	15	6-32UNC Elastic Locknut	H3944	4
4	8-32UNC X 1/2" Screw	H1210	1	16	Mounting Plate	129J1	1
5	#8 External-tooth Lockwasher	H4158	3	17	Frame and Guide Assembly	258JG7	1
6	8-32UNC X 1/4" Screw	854823	3	18	End Plate	258J8	1
7	Limit Switch Shaft & Gear	117JG2	1	19	8-32UNC X 3/8" Screw	H2741P	2
8	Limit Switch Nut (gold)	SK6000-63W	1	20	Drive Pinion	427J1	1
9	Limit Switch Nut (silver)	SK6000-63Z	1	21	Retaining Ring	H5520	1
10	Thrust Washer	255K16	1	22	10-24UNC X 3/8" Screw	H2981P	2
11	Spring	PB287	1				
12	Bushing	JF531-4	2				

Contact your nearest Coffing Service Center for parts and service. For a complete list, see pages 34 and 35. Please have the hoist model number, serial number, and part number with description available for reference.

Figure 22 - Transmission



Contact your nearest Coffing Service Center for parts and service. For a complete list, see pages 34 and 35. Please have the hoist model number, serial number, and part number with description available for reference.

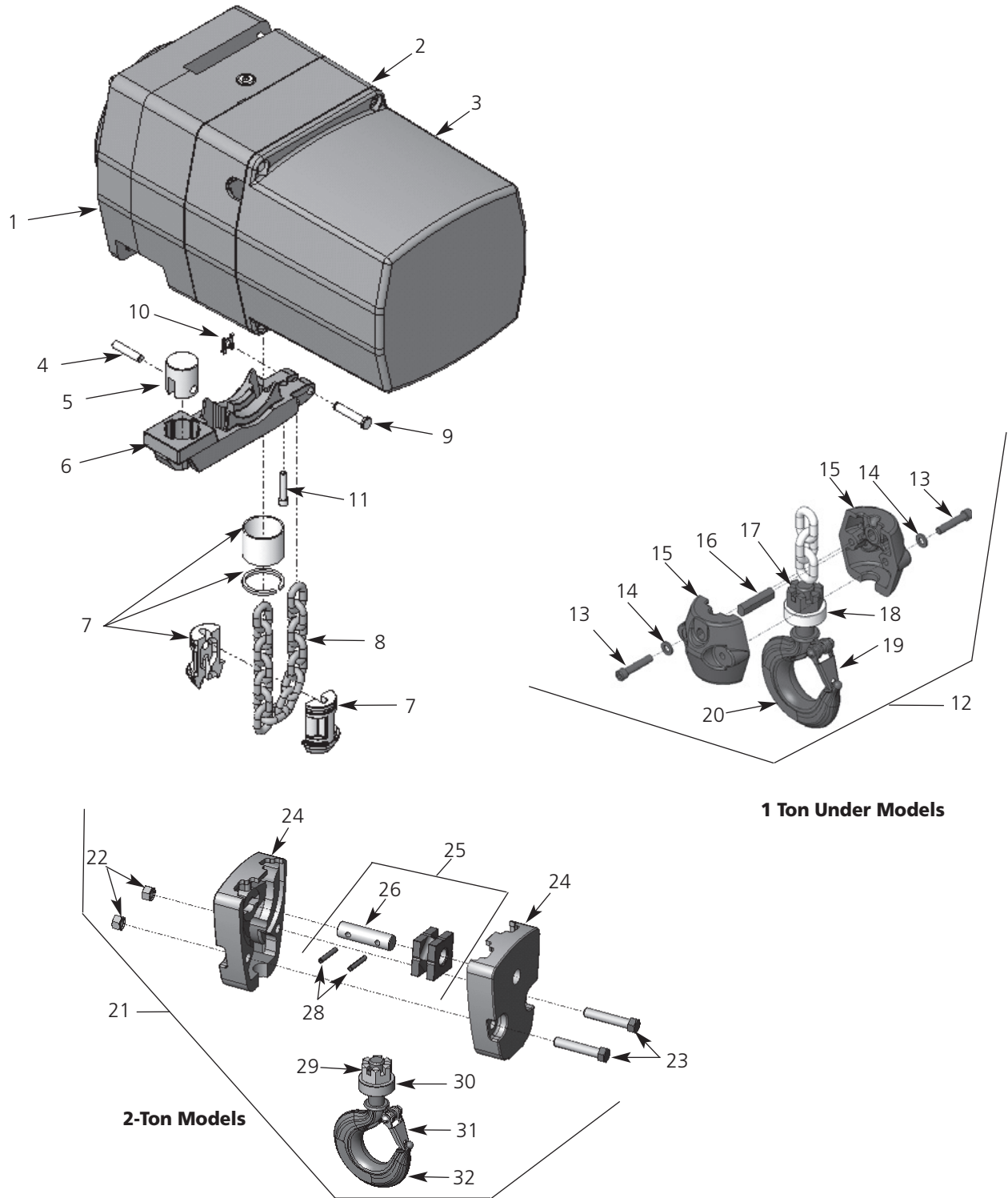
Parts List for Transmission

Ref. No.	Description	Part No.	Qty
1	Sheave Housing	JM3533	1
2	Transmission Gasket	JM560	1
3	Transmission Cover (Includes Oil Seals)	JM34	1
4	Spring Washer	360J1	1
5	O-ring	H5605	1
6	Pressure Relief Fitting	SK1912-21W	1
7	Chain Guide	JM273	1
8	Oil Plug - Drain	H6297	1
9	Oil Plug - Fill	H6296	1
10	Oil Plug - Level	H6295	1
11	Oil Seal	561K2	3
12	Screw, HWH Self-threading	H2693P	5
13	Motor Coupling	JM107	1
14	Bearing	500K33	2
15	Input Pinion 8 & 16 fpm	JL400B	1
	32 fpm	JL400-1	1
16	Retaining Ring	H5501	3
17	Brake Adapter	JL142	1
18	Bearing for 8 & 16 fpm	500K34	2
19	High Speed Pinion for 8 & 16 fpm	JL426	1
20	Intermediate Pinion 1/4 & 1/2 ton, 16 fpm	JL402A	1
	1 & 2 ton	JL403A	1
21	Bearing	500K39	2
22	Output Pinion	JL401	1
23	Overload Clutch Assembly 1/8 ton, 32 fpm	591JG22	1
	1/4 ton, 16 fpm	591JG25	1
	1/4 ton, 32 fpm	591JG22	1
	1/2 ton, 16 fpm	591JG16	1
	1/2 ton, 32 fpm	591JG21	1
	1 & 2 ton	591JG17	1
24	Retaining Ring	H5503	2
25	Bearing	500K28	1
26	Bearing	P003255	1
27	Spacer - Load Sheave	JM127	1
28	Load Sheave-9/32" Chain	JF16-3	1
29	Load Sheave Shaft	JM132	1
30	Stub Shaft - Limit Switch Drive	JM140	1
31	Oil Seal	011612800	1
32	Retaining Ring	H5598	1
33	Output Gear	JL421	1
34	Dowel Pin	H5382	2
*	Gear Oil	H7642	1½ pt

* Not Shown

Contact your nearest Coffing Service Center for parts and service. For a complete list, see pages 34 and 35. Please have the hoist model number, serial number, and part number with description available for reference.

Figure 23 - Chaining Parts



Contact your nearest Coffing Service Center for parts and service. For a complete list, see pages 34 and 35. Please have the hoist model number, serial number, and part number with description available for reference.

Parts List for Chaining Parts

Ref No.	Description	Part No.	Qty	Ref No.	Description	Part No.	Qty
1	Housing	JM3533	1	20	Bottom Hook Assembly		
2	Transmission Cover	JM34	1		with Latch for 1 Ton & Under	3JG20S	1
3	Electrical Cover	JM36	1	21	Bottom Block Assembly		
4	Anchor Pin (2 ton only)	JM111	1		for 2 Ton	JF914-6	1
5	Anchor (2 ton only)	JM109	1	22	3/8-24 Hex Locknut	H3964P	2
6	Chain Stripper	JM254	1	23	Load Block Screw	H2403P	2
7	Chain Stop Kit	75JG6K	1	24	Load Block Frame	JF30-1	2
	(Kits include halves, sleeve and retaining ring)			25	Sheave Shaft Assembly	JF917-1	1
8	Load Chain	JL19-1	•	26	Sheave Shaft	JF122-1	1
9	Attachment Pin	JM18-1	1	27	Sheave & Bearing Assembly	JF916	1
10	Retaining Clip	H5597	1	28	Roll Pin	H5234	2
11	1/4-20UNC x 1 1/4"			29	3/8-24 Hex Locknut	H3991P	1
	Socket Head Cap Screw	S49-77	1	30	Bearing	JF511	1
12	Bottom Block Assembly			31	Latch Kit	4X1305	1
	1 ton & Under	913JG3AS	1	32	Bottom Hook Assembly		
13	1/4-20UNC x 1 1/4"	S49-77	2		with Latch for 2 Ton	3KG1W	1
	Socket Head Cap Screw						
14	1/4" Internal-tooth						
	Lockwasher	H4134	2				
15	Load Block Frame	30J14	2				
16	Load Block Pin	18J8	1				
17	Slotted Hex Nut	H3986P	1				
18	Bearing	JF510	1				
19	Latch Kit	4X1304	1				

* Replacement chain is sold by the foot. For single-chained models, add 2 ft to the lift for the total amount of feet. For double-chained models, double the lift and add 3 ft.